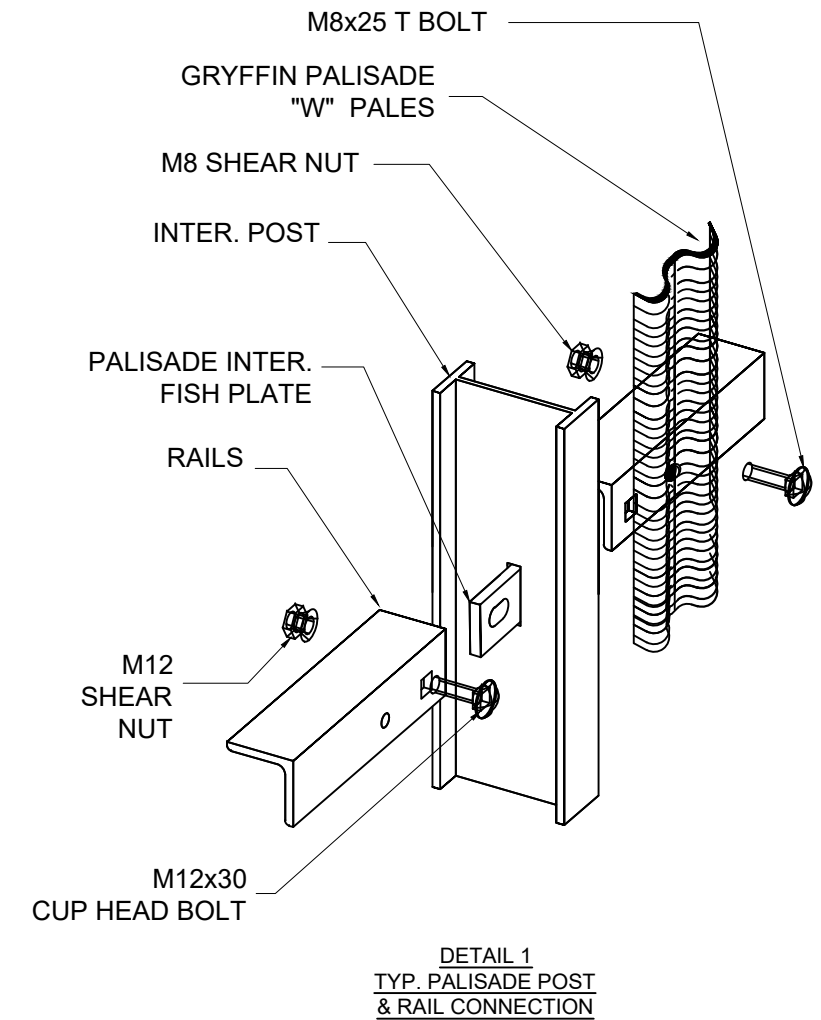
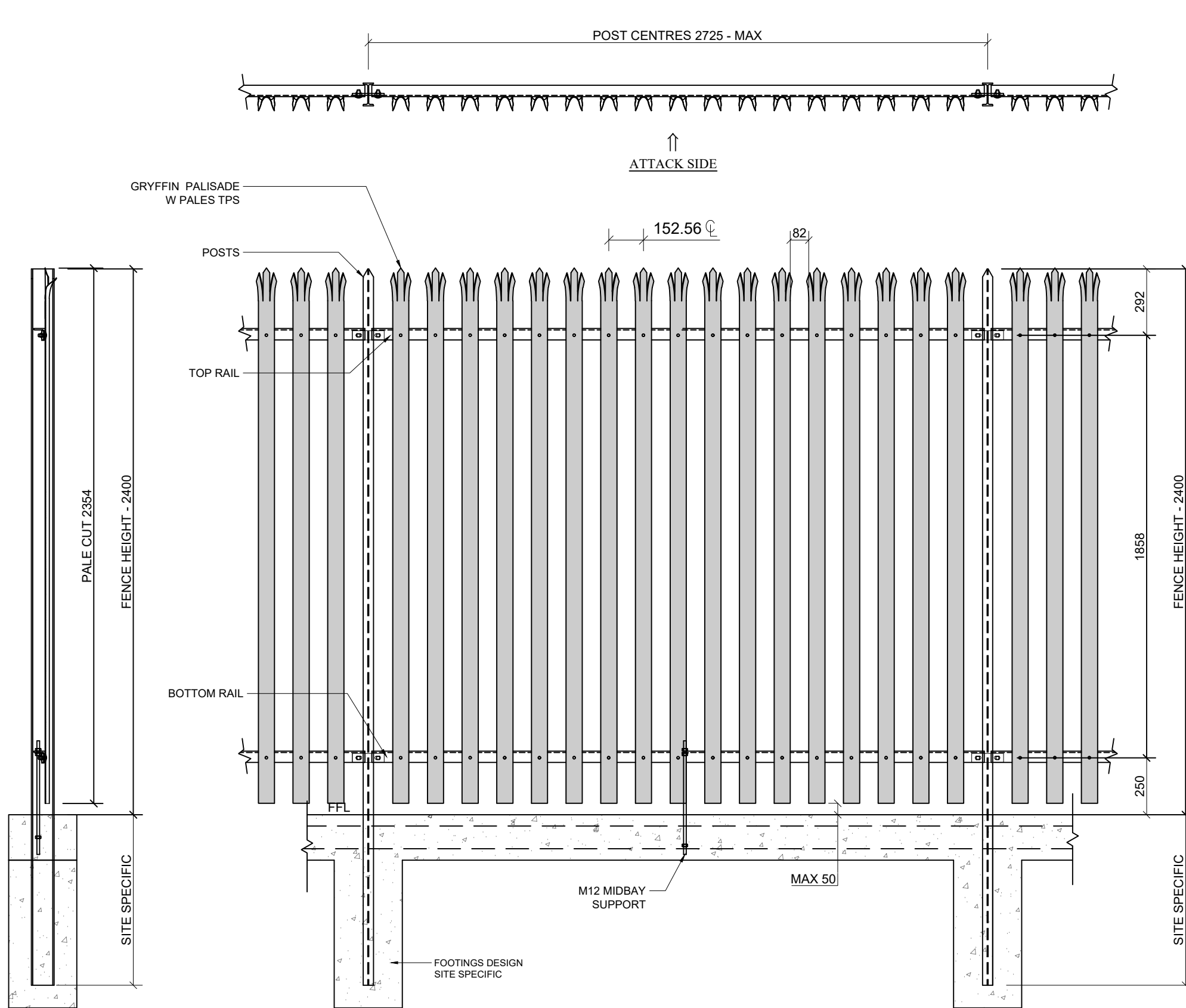


"PALISADE W PALE" FENCE



Standard Fence Pale Material
 HA300 for BS1722-12 2006 SP Grade
 HA250 for BS1722-12 2006 GP Grade
 HA3, Brightform or SPHC for Gryffin Commercial Grade
 Yield strength: SP 320-380 MPa, GP 220-330 MPa
 Tensile strength: SP 450-500 MPa, GP 340-370 MPa
 Yield & Tensile strength for Commercial Grade confirmed at time of inquiry as they are subject to the steel type and availability.

Standard Fence Post Material
 Tapered Flange Beam (TFB) 100 x 45mm x 7.20kg/m or similar up to 2.7m in height. Grade 300 plus, Minimum tensile strength 440 MPa. Material to Australian Standard AS 3679.1-300.

Standard Fence Rails
 Equal Angle 50 x 50 x 6mm x 4.46 kg/m.

Hot dip galvanized after fabrication to A.S. 4680 – 2006.
 Manufactured to British Standard BS1722-12 2006.



This drawing includes the principles of design and is submitted by **GRYFFIN PTY LTD** with the agreement that it not be reproduced, copied or loaned in part or whole. It is not to be used in any manner that may constitute a detriment directly or indirectly to **GRYFFIN PTY LTD**. Acceptance of this drawing will be constructed as an agreement to the above.

GRYFFIN PTY LTD
 8 Bessemer Road
 Bayswater, Victoria - 3153
 Telephone: (03) 8720 9400
 Email: sales@gryffin.com.au

Dwg No: SMAX-GRY-WP-2.4-GA
 Drawn: KP
 Checked: JWR
 Approved: SJR
 Date: 04/12/2024
 Scale: NTS

"PALISADE W PALE" FENCE
 GENERAL ARRANGEMENT

A/O No: 00000
 Sheet:
 Rev: A